

MULTICRACKER®

MC-A4

Compact & powerful

- ◇ Up to 3,5 t/h throughput
- ◇ Up to 80 % energy saving
- ◇ Low powder fraction

Advantages:

- ◇ gentle, efficient processing of valuable raw material
- ◇ homogenous ground product
- ◇ no material heating
- ◇ compact design, little floor space



STANDARD-CONFIGURATION

Manual, stepless adjustment of the grinding gap

Foreign object protection by spring technique

EC-conform

Disk profile of your choice

Various options such as motorized grinding gap adjustment or subframe available on request

IDEAL AREAS OF APPLICATION

Grains

Legumes

Seeds

Extraction meal/cake

Herbs/tea

...and much more

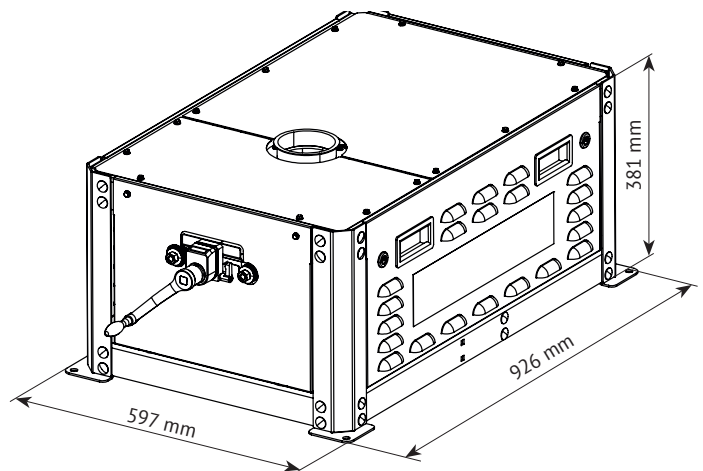
TECHNICAL DATA/SPECIFICATIONS

Inlet/Outlet: DN100

Outer dimensions: (see drawing)

Drive power: 1x 4,0 kW

Weight: 140 kg



MAKOBA GmbH & Co.KG
Lochfeldstr. 28
D-76437 Rastatt

Tel +49 7841 67197-0
vertrieb@makoba.de

MULTICRACKER®

MAKOBA – Your partner for advanced grinding technology

Who we are

MAKOBA is an innovative, owner-managed mechanical engineering company based in Rastatt, South-West-Germany. We specialise in the development, production and worldwide distribution of machines for the food, animal feed and chemical industries.

The company is built upon a committed and customer-orientated team. Always with fast response times in solving your customised requirements. Competent service and support are a matter of course for us.



The core of our product range is the innovative MULTICRACKER® grinding technology, with the patented design of the special grinding unit. Our MULTICRACKER® machines offer a reliable and resource-saving solution for grinding bulk materials in various applications in the animal feed, food and chemical industries as well as for similar applications since many years. The product and service programme built around these machines is constantly being further developed and expanded.

Your advantage

With our innovative MULTICRACKER® machines, you achieve a homogeneous grinding result with minimum energy input. The grinding of feed and similar applications e.g. for laying hens is one of the specialties of our machines.

Get in touch with us!

We cordially invite you to learn more about the MULTICRACKER® machines. Please contact us online or simply give us a call. You are welcome to carry out grinding trials at our premises or hire a machine for a self-test. If we have sparked your interest in our machines, our team would be delighted to hear from you at any time.

Contact

MAKOBA GmbH & Co.KG Tel +49 7841 67197-0
Lochfeldstr. 28 vertrieb@makoba.de
D-76437 Rastatt

