

◇ MAKOBA **MULTICRACKER®**

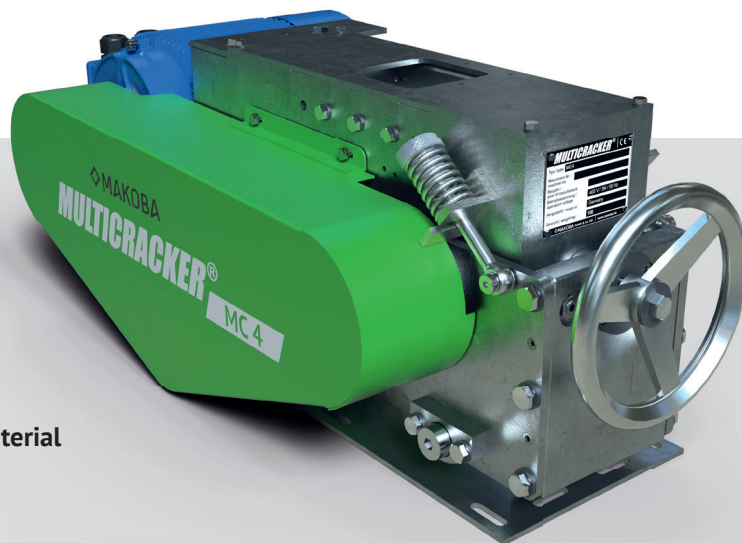
MC4

Compact & powerful

- ◇ Up to 80 % energy saving
- ◇ Up to 3,5 mt/h throughput
- ◇ low Powder Fraktion

Advantages:

- ◇ gentle, efficient processing of valuable raw material
- ◇ homogenous ground product
- ◇ no material heating
- ◇ compact design, little floor space



STANDARD-CONFIGURATION

Manual, stepless adjustment of the grinding gap

Foreign object protection by spring technique

Incl. one crackerunit/grinding unit

Disk profile of your choice

stainless steel housing

EC-conform

IDEAL AREAS OF APPLICATION

Grains

Legumes

Seeds

Extraction meal/cake

Herbs/tea

...and much more

TECHNICAL DATA/SPECIFICATIONS

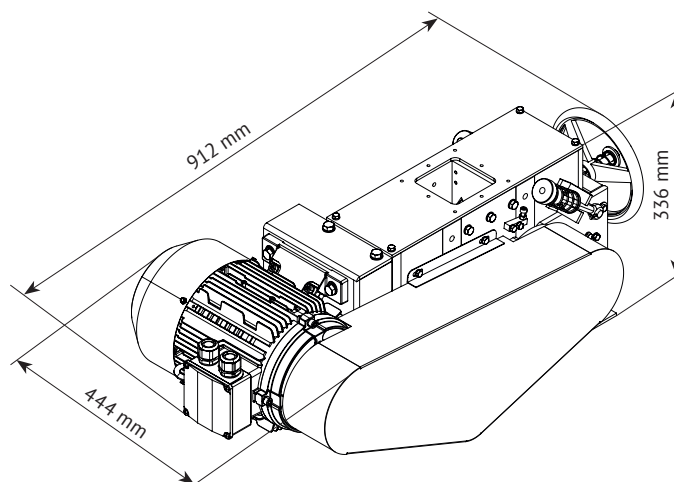
Input size: 157 x 102 mm

Output size: 174 x 132 mm

Outer dimensions: (see drawing)

Drive power: 1x 4,0 kW/1x 5,44 hp

Weight: 150 kg/333 lbs



MAKOBA GmbH & Co.KG
Lochfeldstr. 28
D-76437 Rastatt

Tel +49 7841 67197-0
vertrieb@makoba.de

